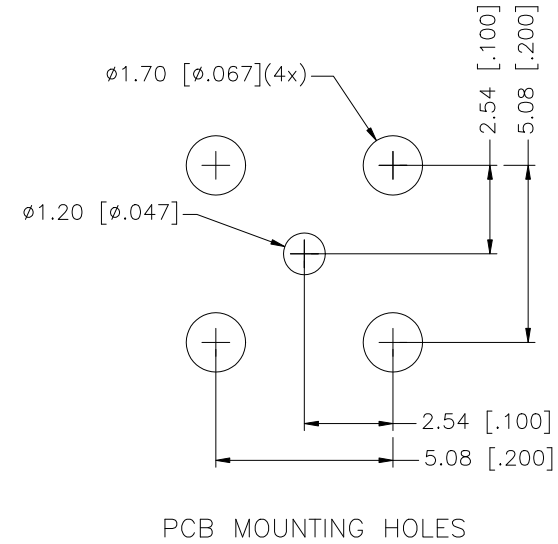
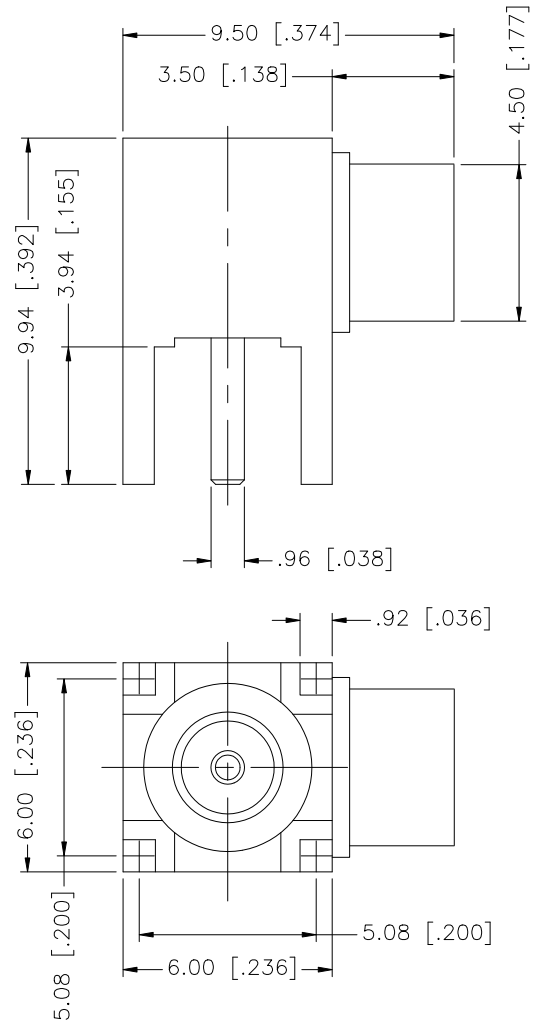


REV.	DATE	DESCRIPTION
A	02/12/98	ADD LEG LENGTH TO TITLE
B	07/16/07	UPDATE DRAWING FORMAT



8				
7				
6				
5				
4				
3	CONTACT PIN	BER. COPPER	GOLD	1
2	INSULATOR	TEFLON	NATURAL	1
1	BODY	BRASS	GOLD	1
DESCRIPTION	MATERIAL	FINISH	QTY	

UNLESS OTHERWISE SPECIFIED DIMENSIONS ARE IN MILLIMETERS. DIMENSIONS IN [] ARE IN INCHES AND FOR CUSTOMER REFERENCE ONLY.

UNLESS OTHERWISE SPECIFIED TOLERANCES FOR MILLIMETERS ARE:
0.5 - 8mm \pm 0.20mm
8 - 30mm \pm 0.40mm
30 - 120mm \pm 0.50mm

UNLESS OTHERWISE SPECIFIED TOLERANCES FOR INCHES ARE:
.020 - .315 \pm 0.007"
.315 - 1.180 \pm 0.015"
1.180 - 4.724 \pm 0.020"

DO NOT SCALE DRAWING

APPROVALS	DATE
DRAWN G.R.S.	07/16/07
CHECKED	
ISSUED	
SHEET 1 OF 1	
CAD FILE	C:/252/252129.DWG

Amphenol Connex

PART DESCRIPTION
**MCX R/A P.C. BOARD RECEPTACLE
(3.94 LEGS - GOLD)**

PART NO.
252129

DWG. NO. 252129.DWG REV. B SIZE A SCALE NA